



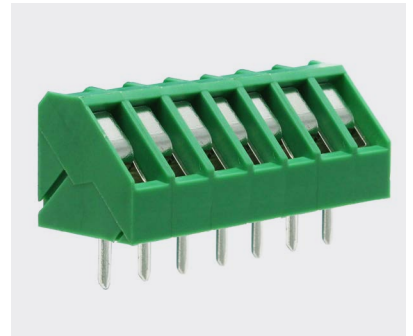


# 5mm pitch 45° rising clamp terminal blocks

## Product overview

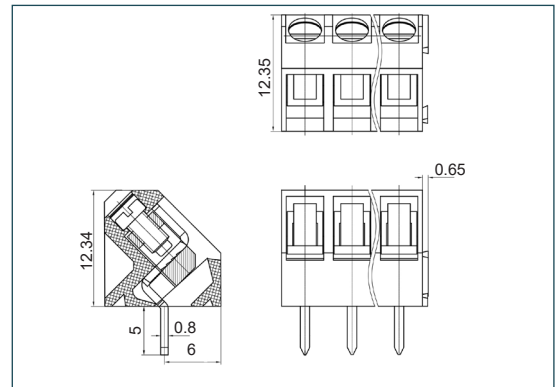
- 2 and 3 pole interlocking
- Professional rising clamp terminals
- Low profile 45° mounting
- Moulded in green UL94-V0 flame retardant PA66
- Cable acceptance VDE - 0.5-2.5mm<sup>2</sup> (20-14AWG)
- Cable acceptance UL - 0.08-2.5mm<sup>2</sup> (28-14AWG)
- Guided pin alignment
-   approved

CTBP3000



SPECIFICATION	
Rating	UL=15A/300V, VDE=24A/300V
Insulation resistance	500M $\Omega$ /500V
Withstand voltage	AC2000V/1min
Contact resistance	20m $\Omega$ (max)
Working temperature	-40°C to +105°C
Moulding	UL94-V0 flame retardant PA66
Pin/terminal	Tin plated brass
Rising clamp	Brass, nickel plated
Screw/torque	M2.5 steel, zinc plated 0.4Nm
Recommended PCB hole size	$\phi$ 1.5mm

PART NO.	POLES	LENGTH
CTBP3000/2	2	10mm
CTBP3000/3	3	15mm
CTBP3000/4	4	20mm
CTBP3000/5	5	25mm
CTBP3000/6	6	30mm
CTBP3000/7	7	35mm
CTBP3000/8	8	40mm
CTBP3000/9	9	45mm
CTBP3000/10	10	50mm
CTBP3000/11	11	55mm
CTBP3000/12	12	60mm



## KEY FEATURES

45 Degree cable entry | Interlock mechanism | Professional rising clamp

